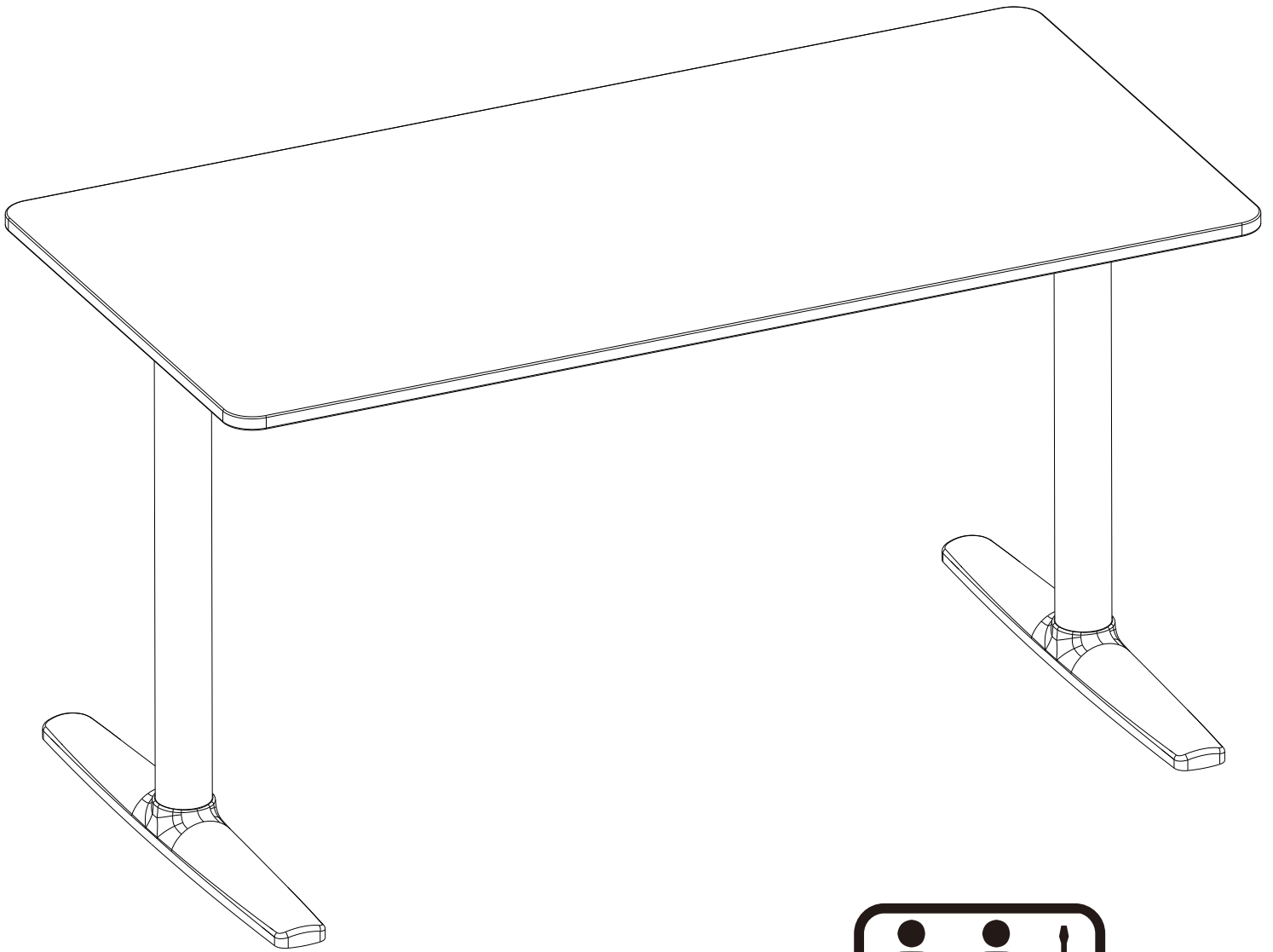


# OBOL FIXED FRAME



Two-person Assembly

## TOOLS



## HARDWARE



A X 30

# PARTS



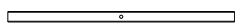
① X 1



② X 2



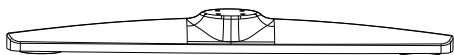
③ X 2



④ X 2



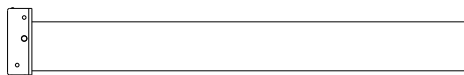
⑤ X 1



⑥ X 2



⑦ X 2

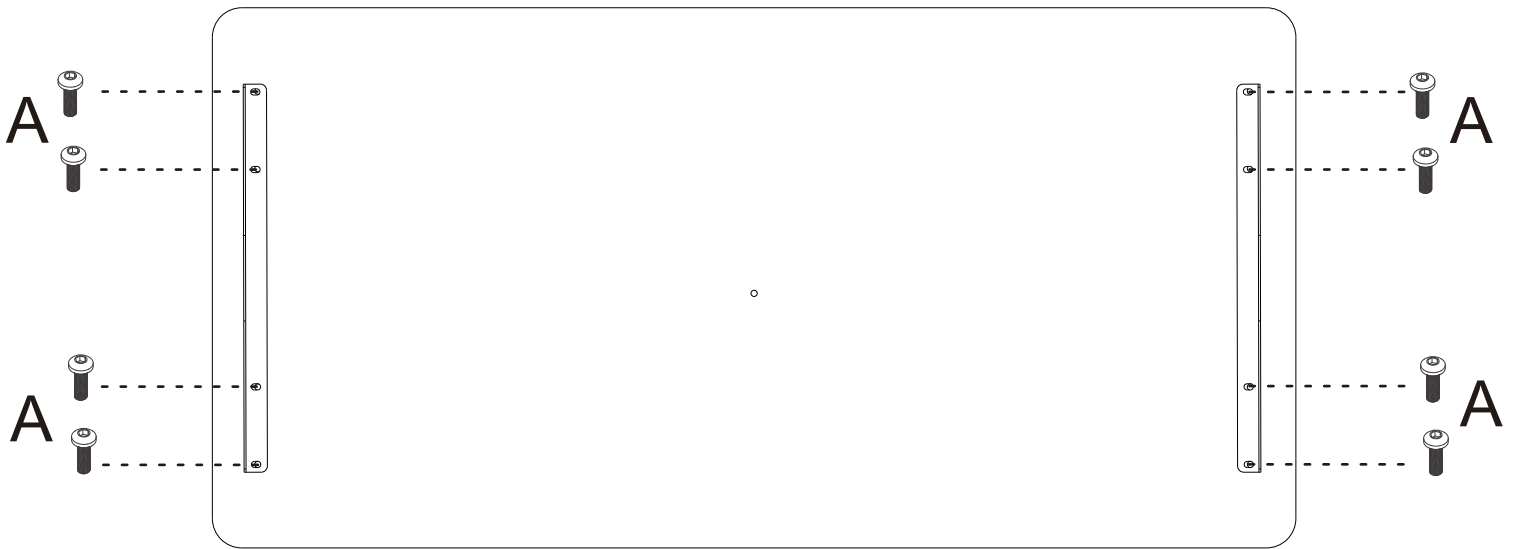
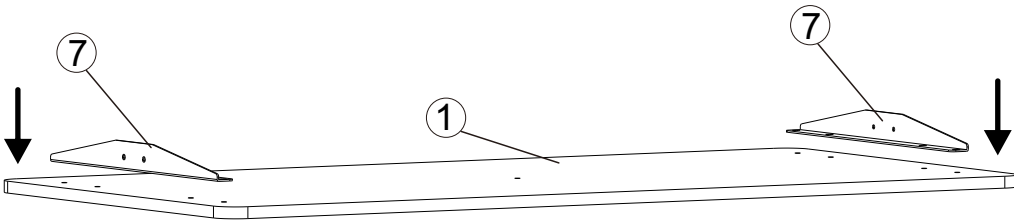


⑧ X 1

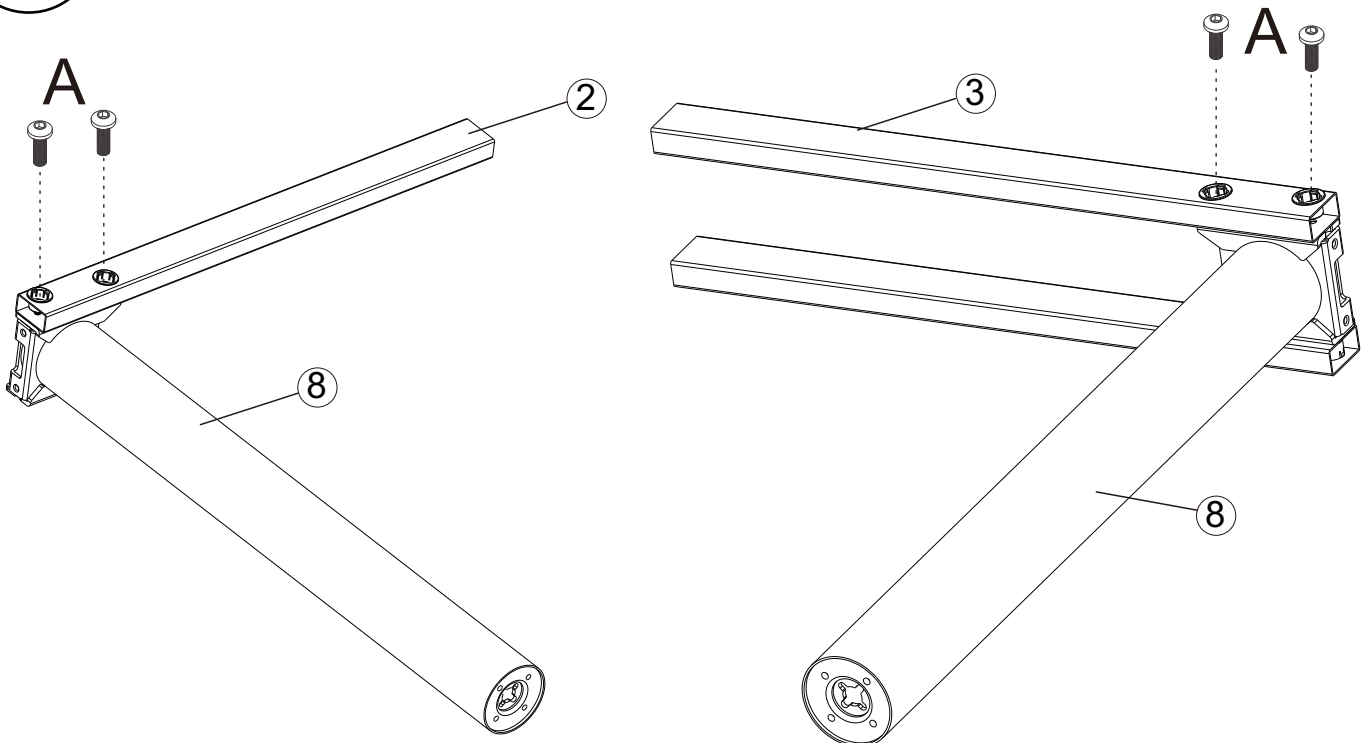


⑨ X 1

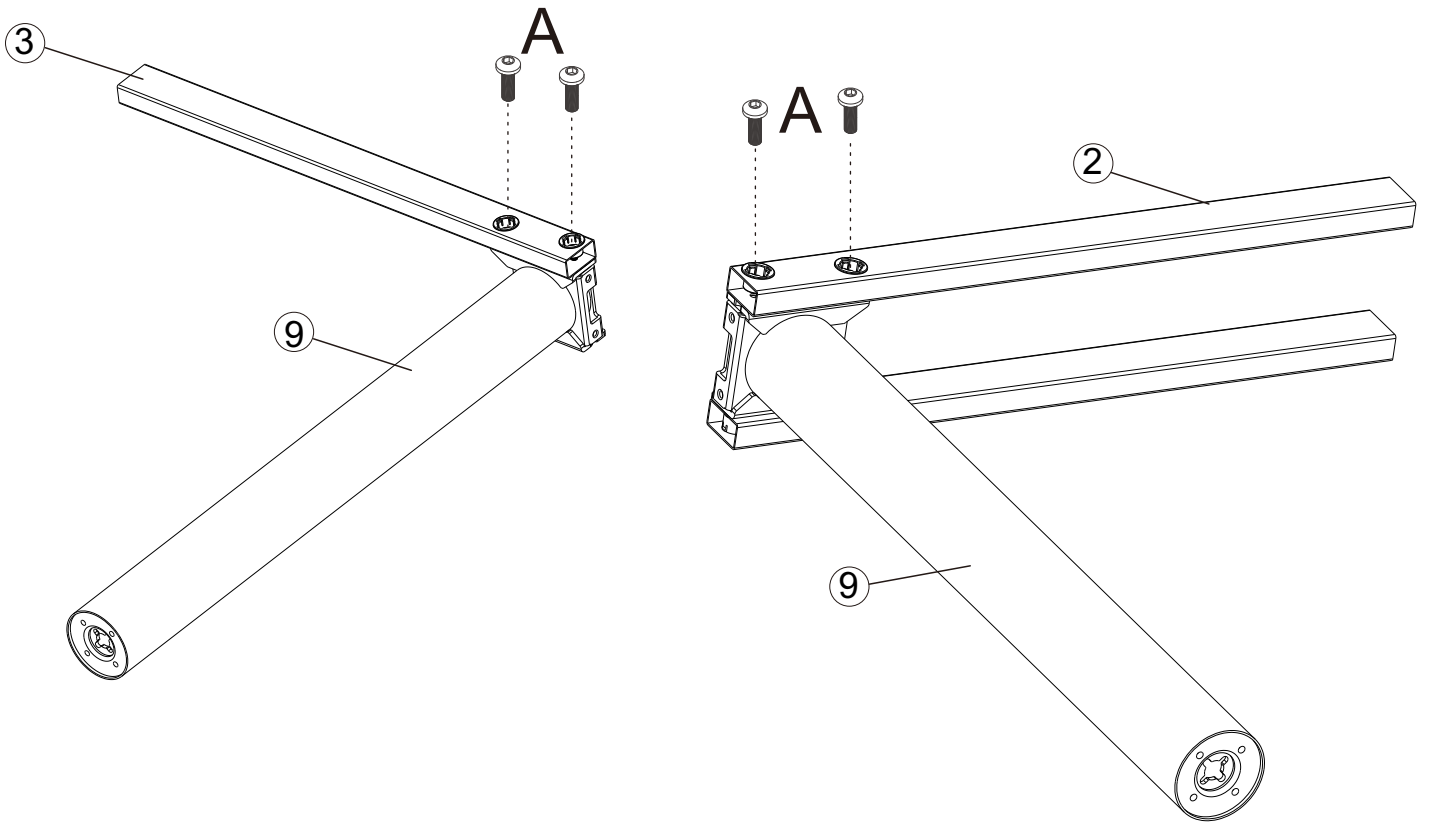
1



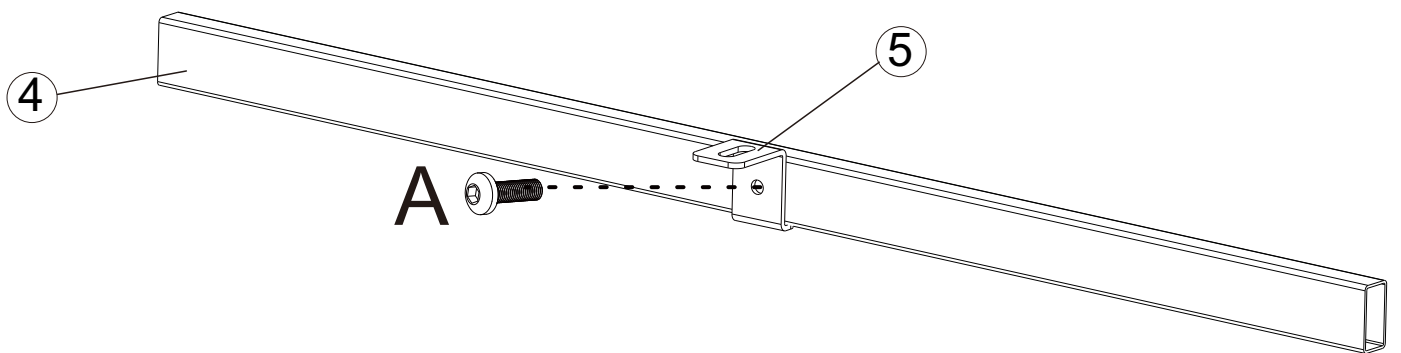
2



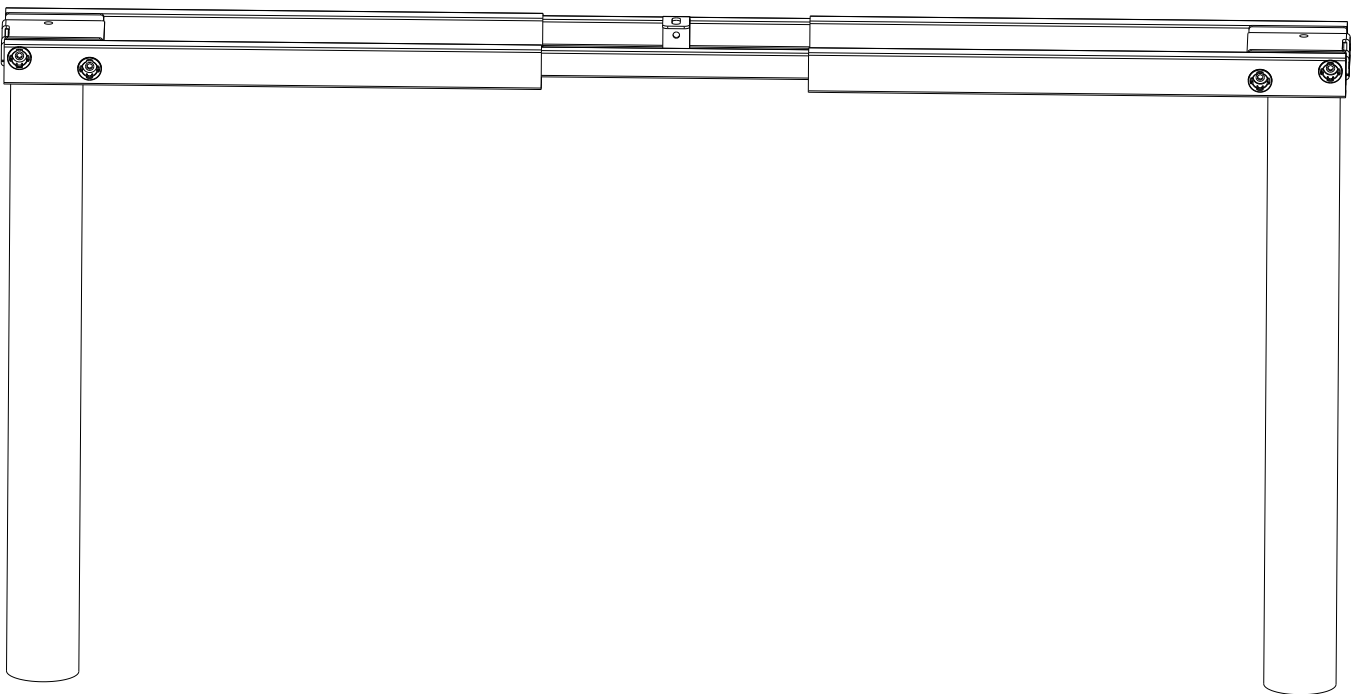
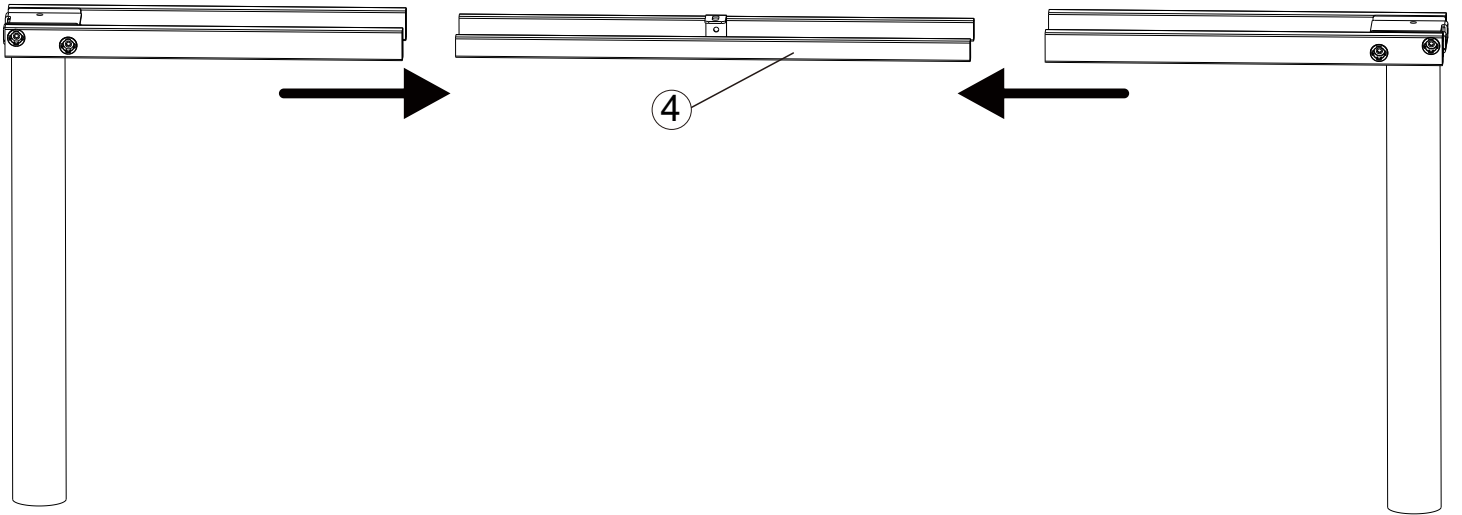
3



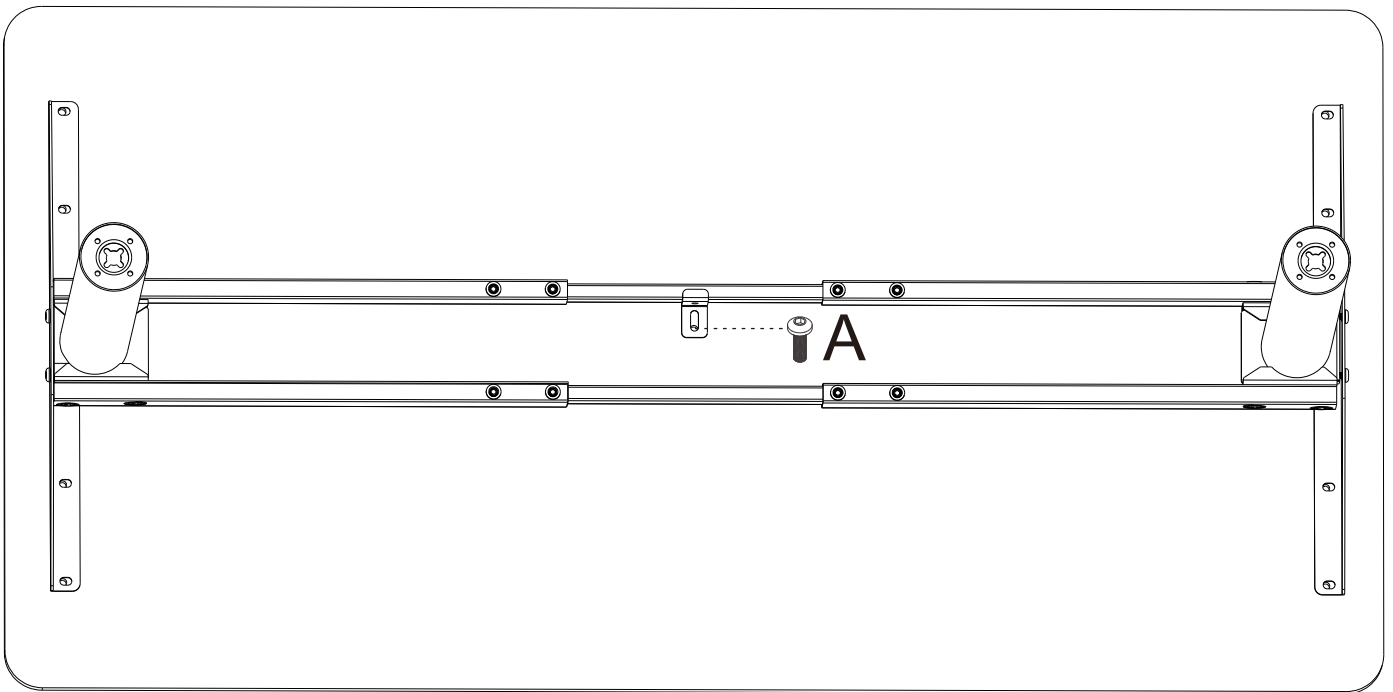
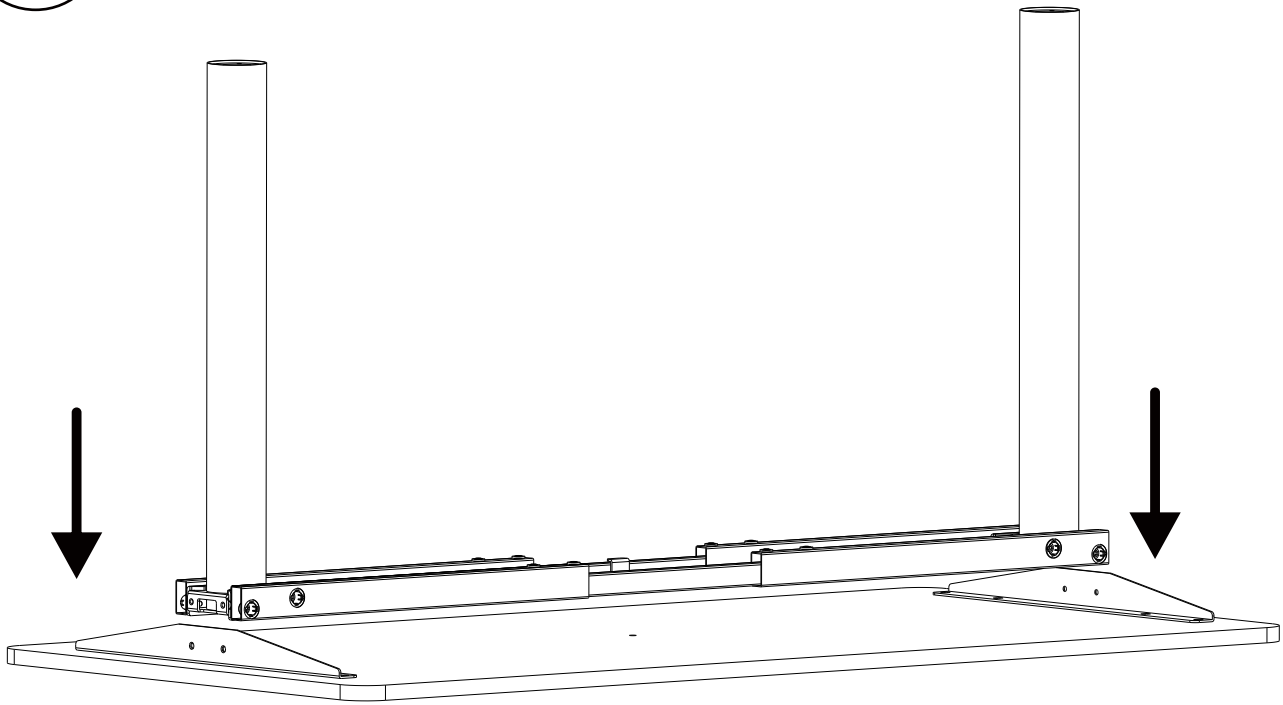
4



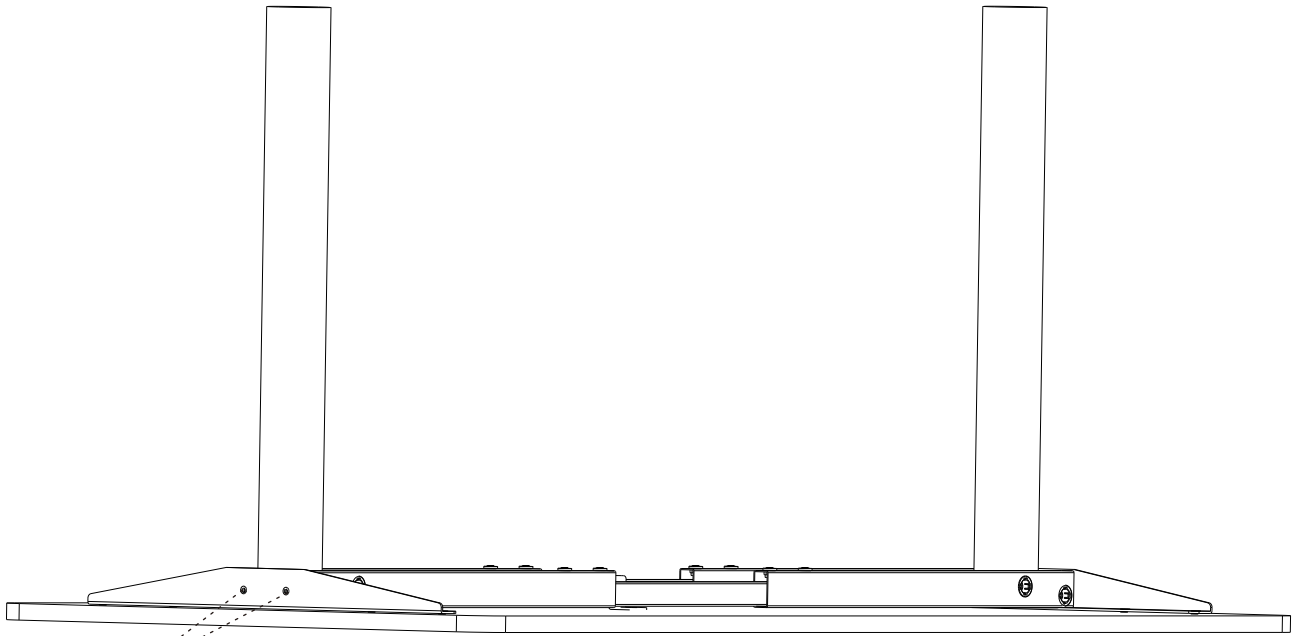
5



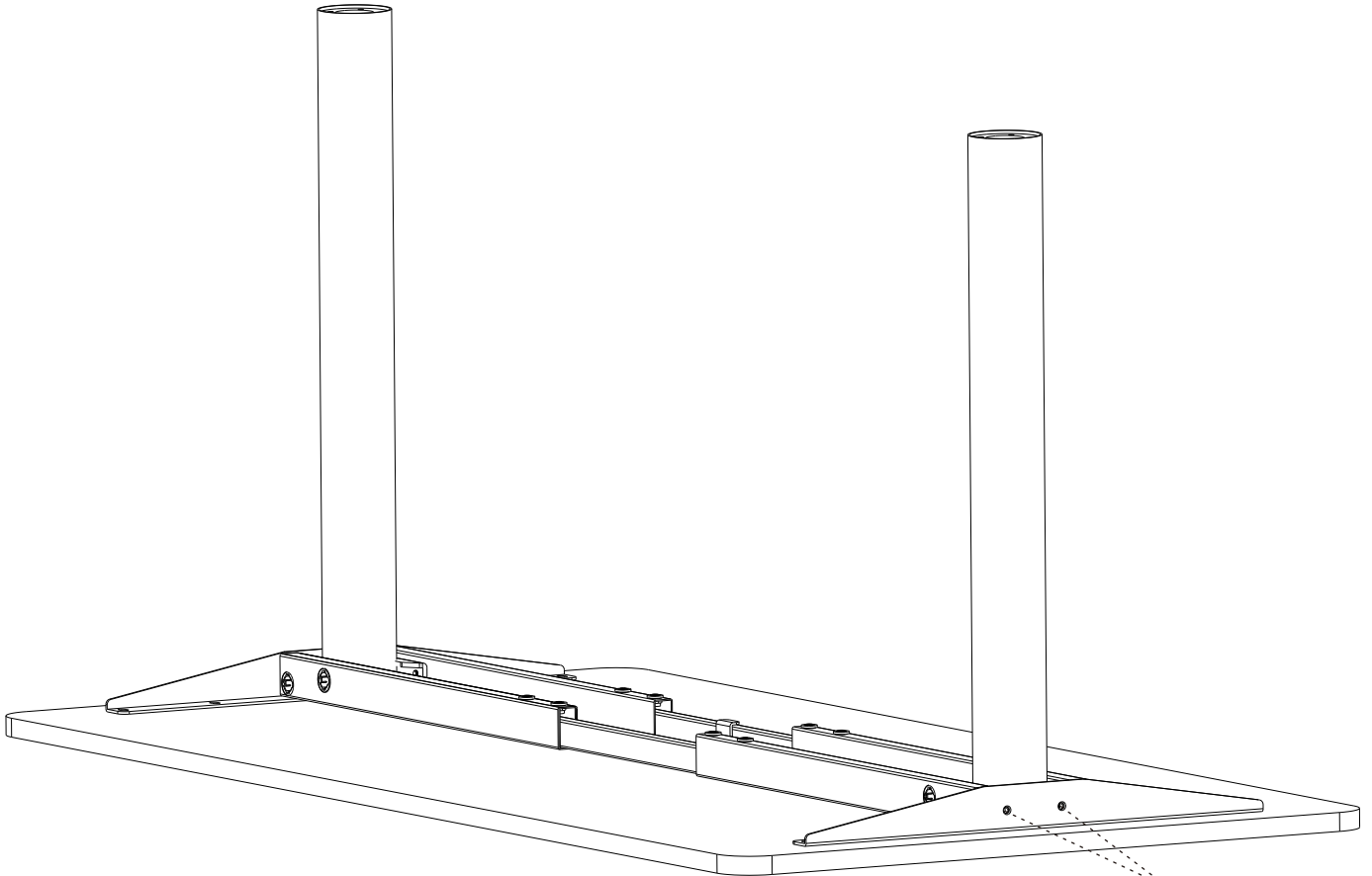
6



7

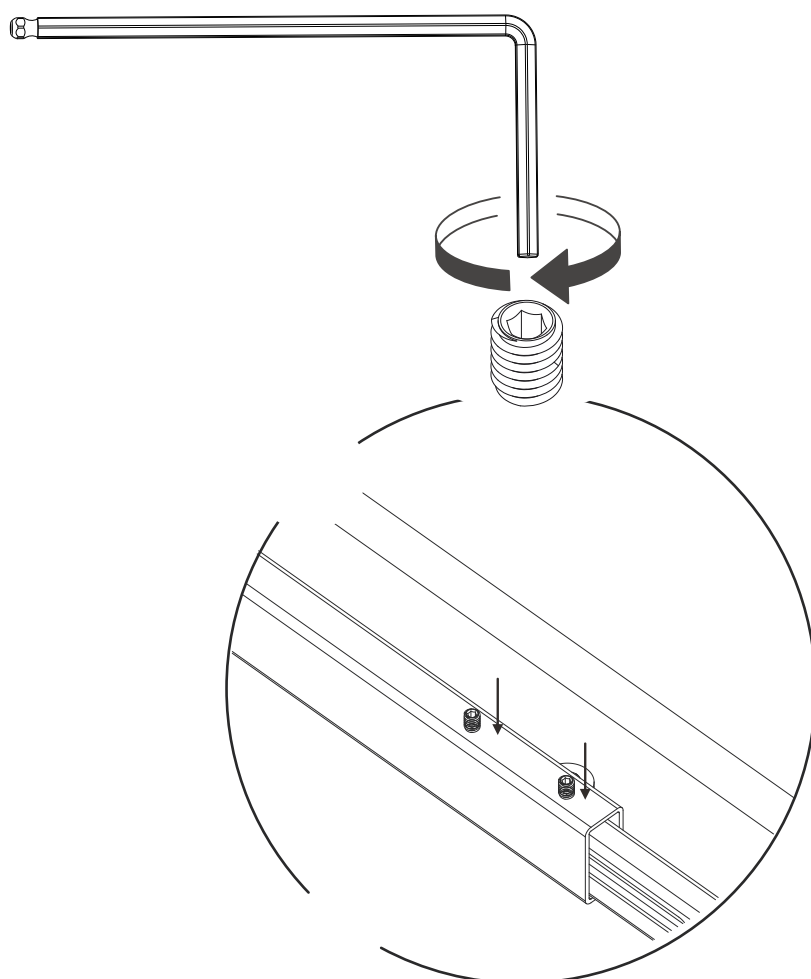
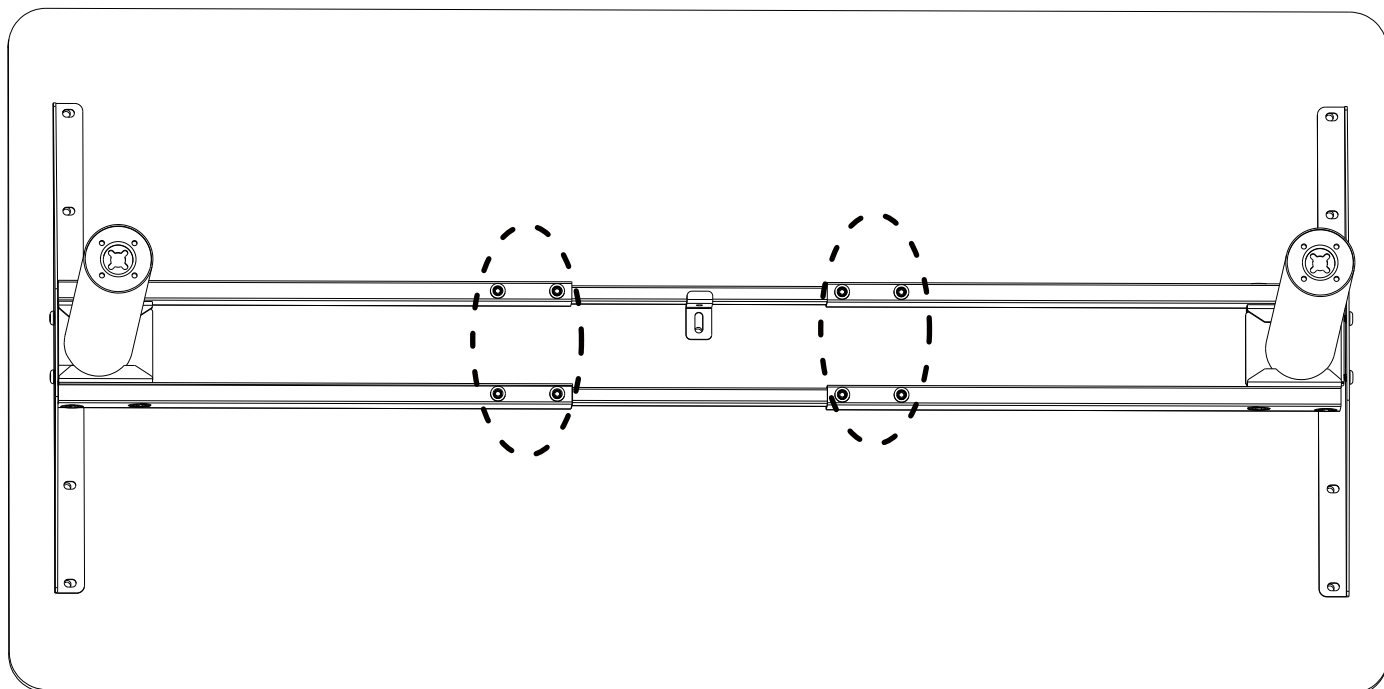


A



A





9

